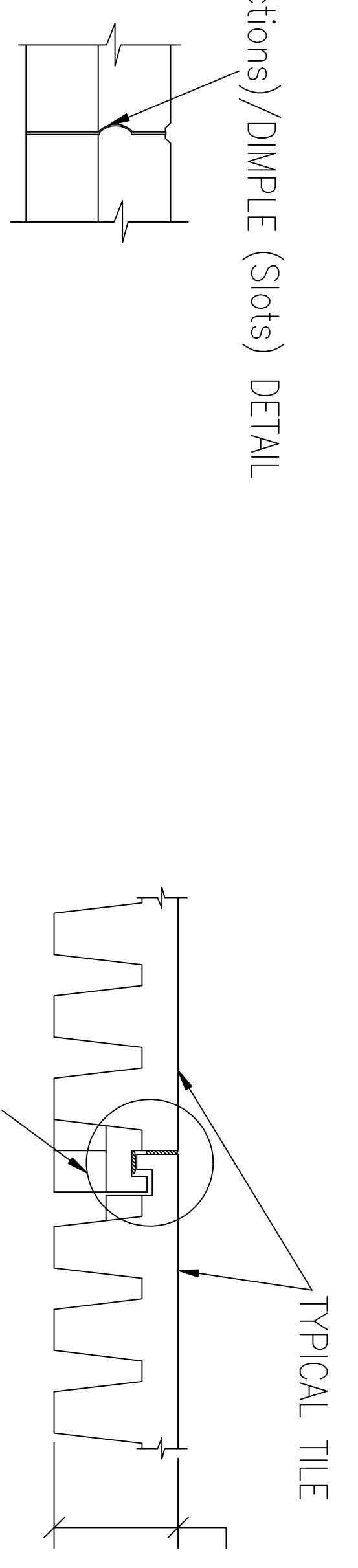


TOP VIEW OF UNITY TILE/MAT/BLOCK/PAVER

BOTTOM VIEW OF UNITY TILE/MAT/BLOCK/PAVER

PIMPLE (Projections)/DIMPLE (Slots) DETAIL

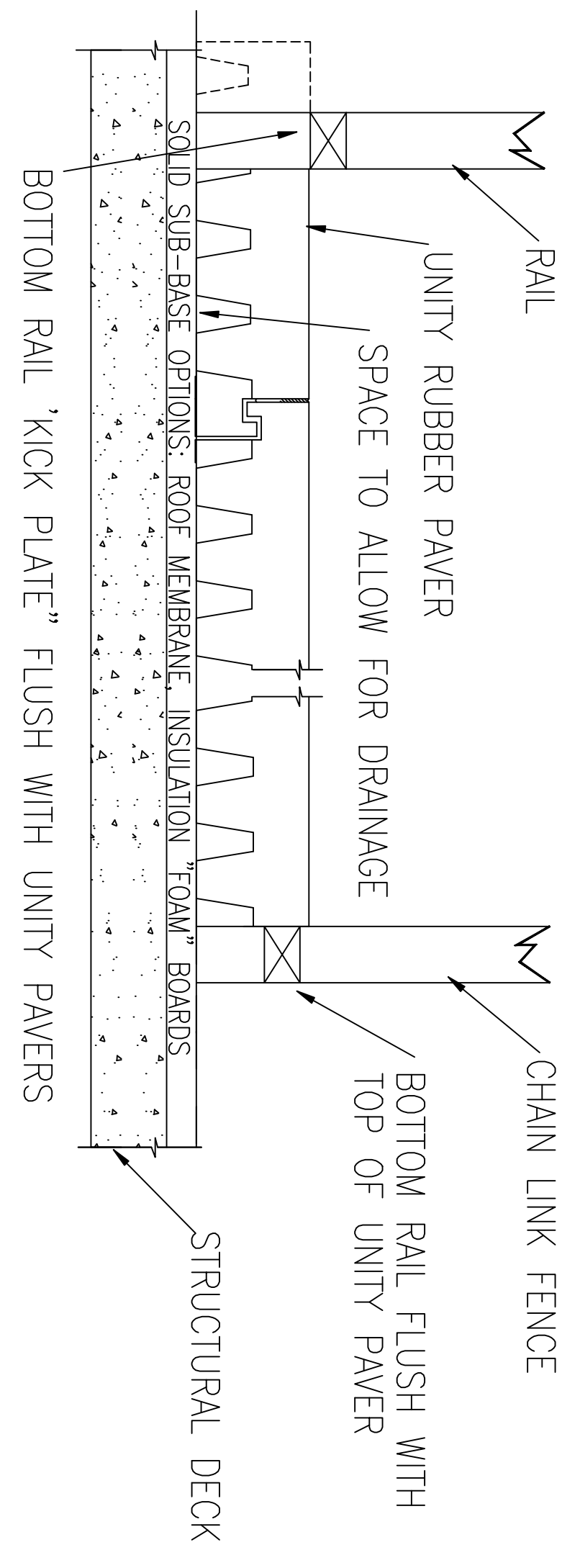
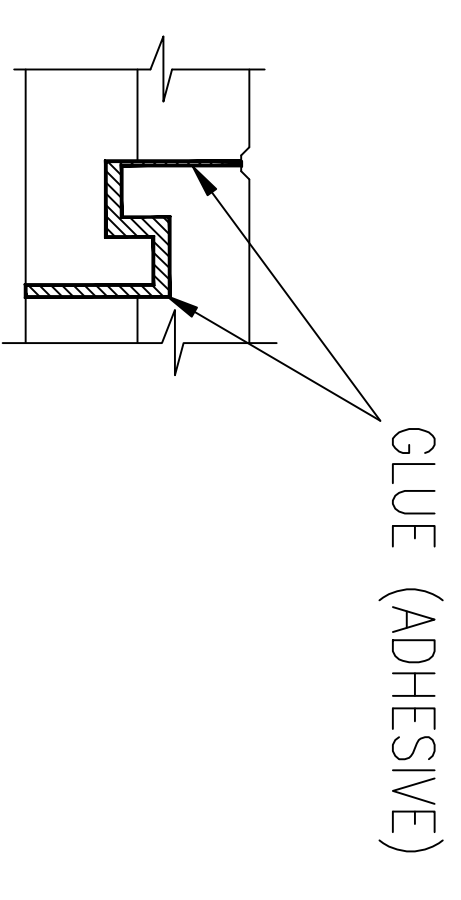


JOINT DETAIL AT PIMPLE (Projections)/DIMPLE (Slots)

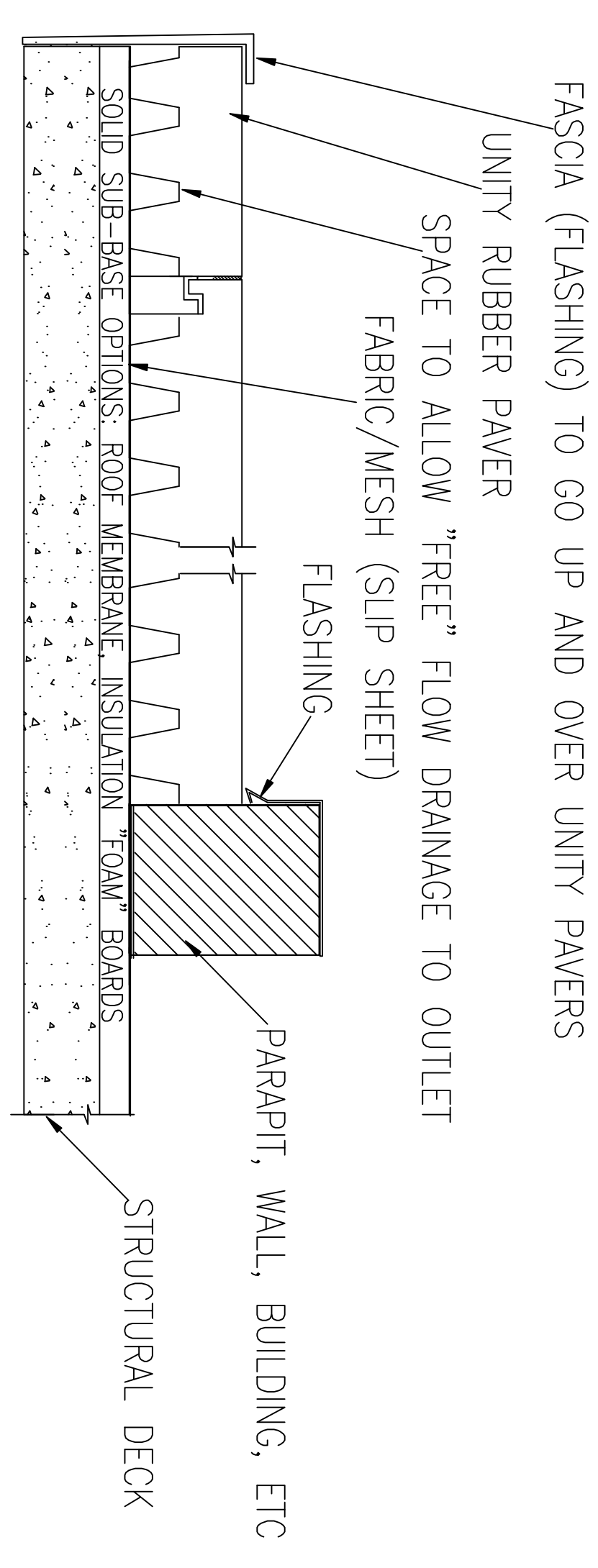
TYPICAL TILE JOINT DETAIL

ENLARGED INTERLOCK JOINT DETAIL

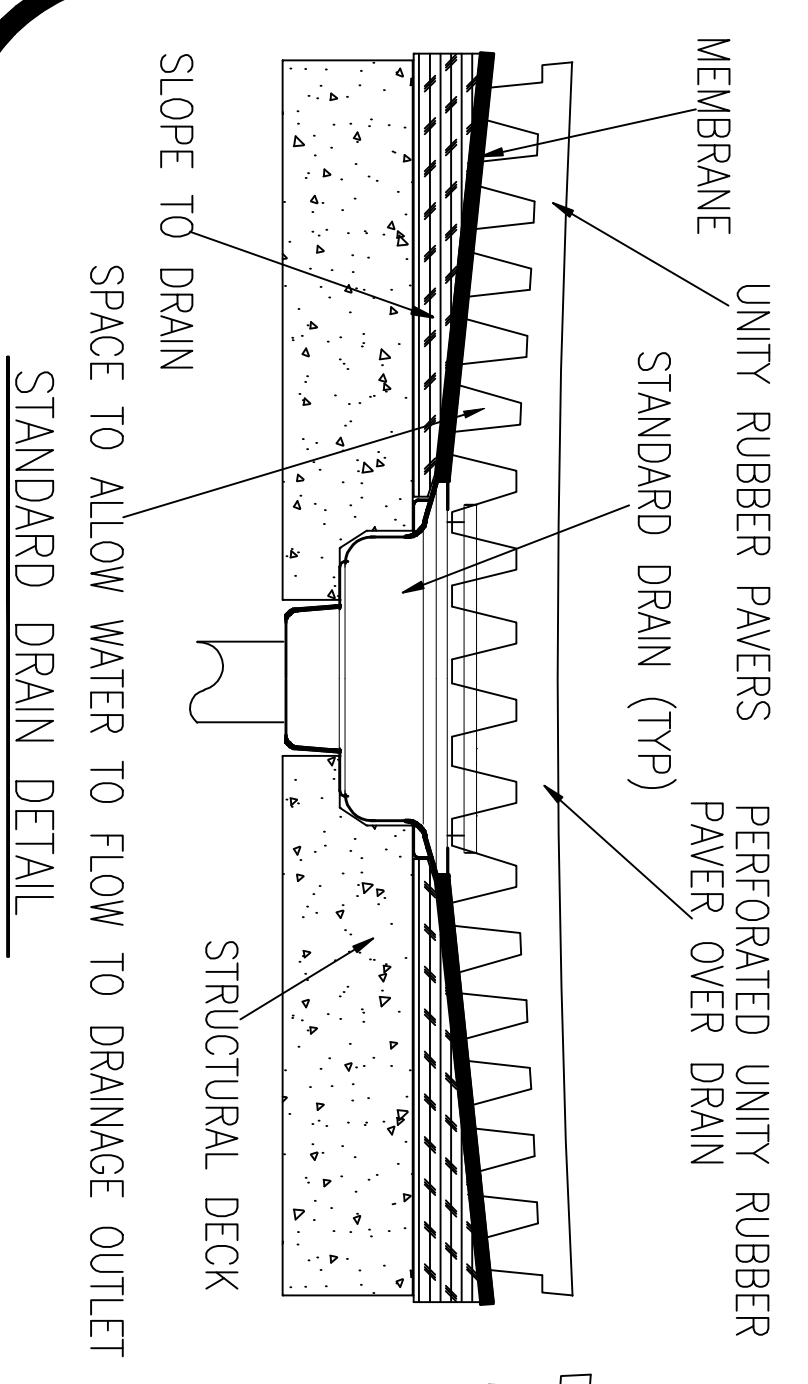
NOTE: FIELD APPLY ADHESIVE AT EACH INTERLOCK BOTH INSIDE THE JOINT AND ON TOP (OUTSIDE EDGE)



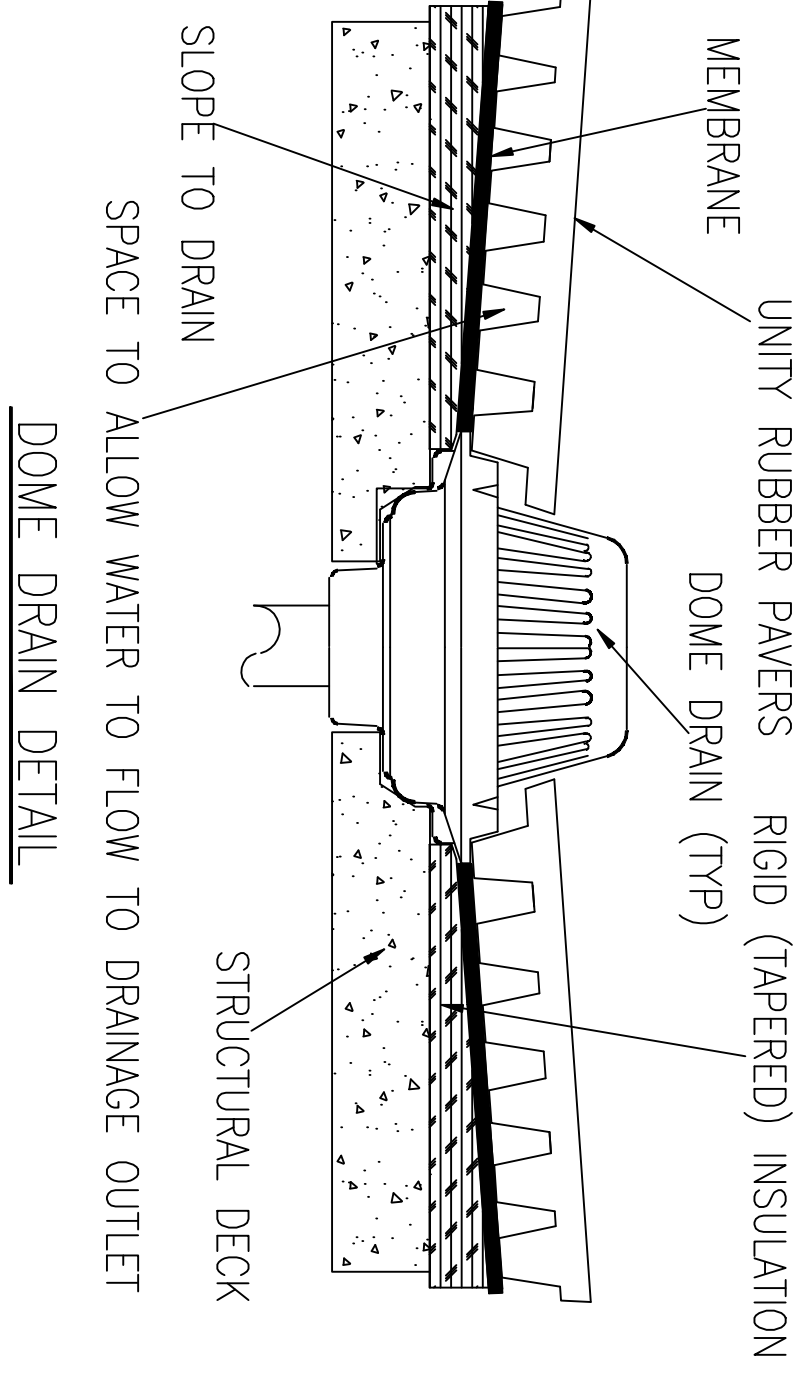
SIDE VIEW OF RAIL AND/OR FENCE DETAIL



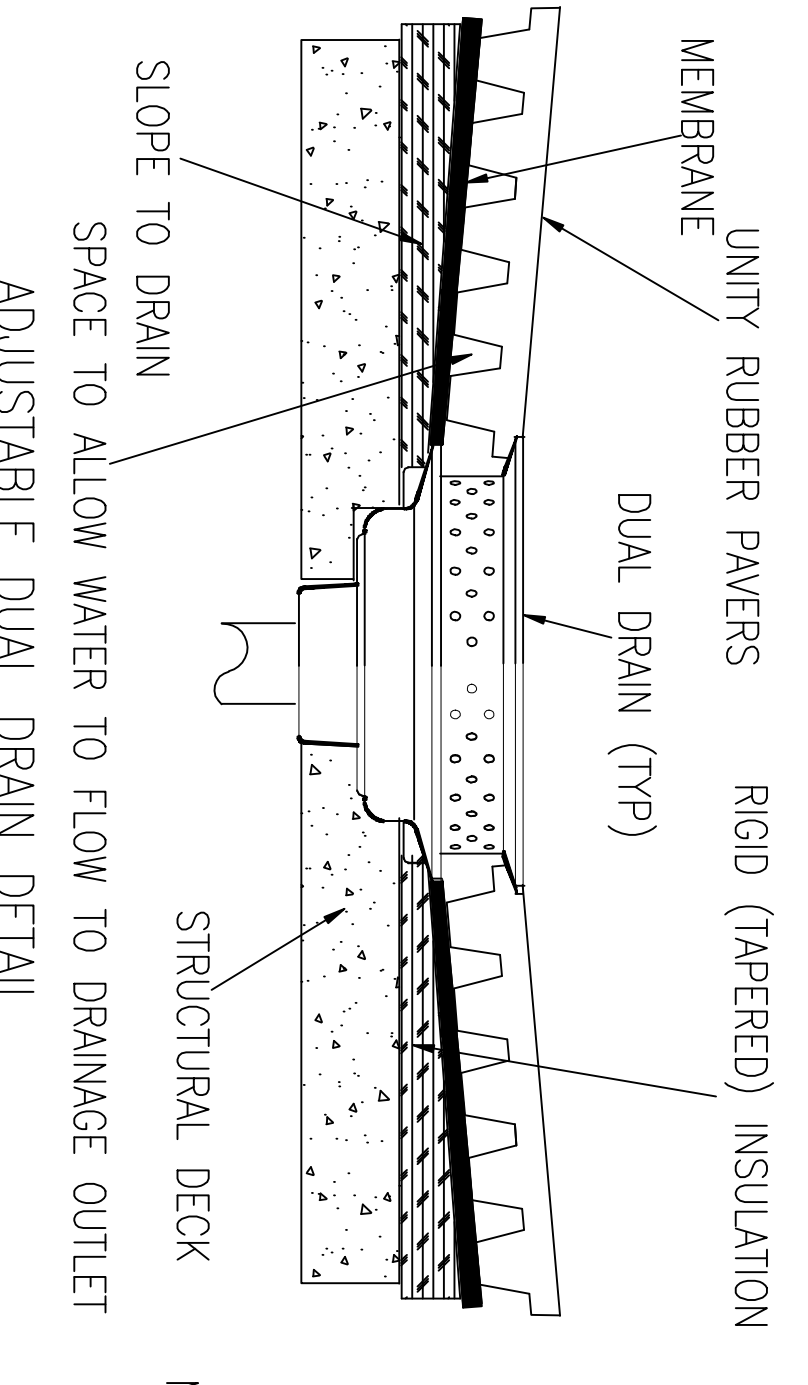
SIDE VIEW OF FASCIA AND/OR BOARDER DETAIL



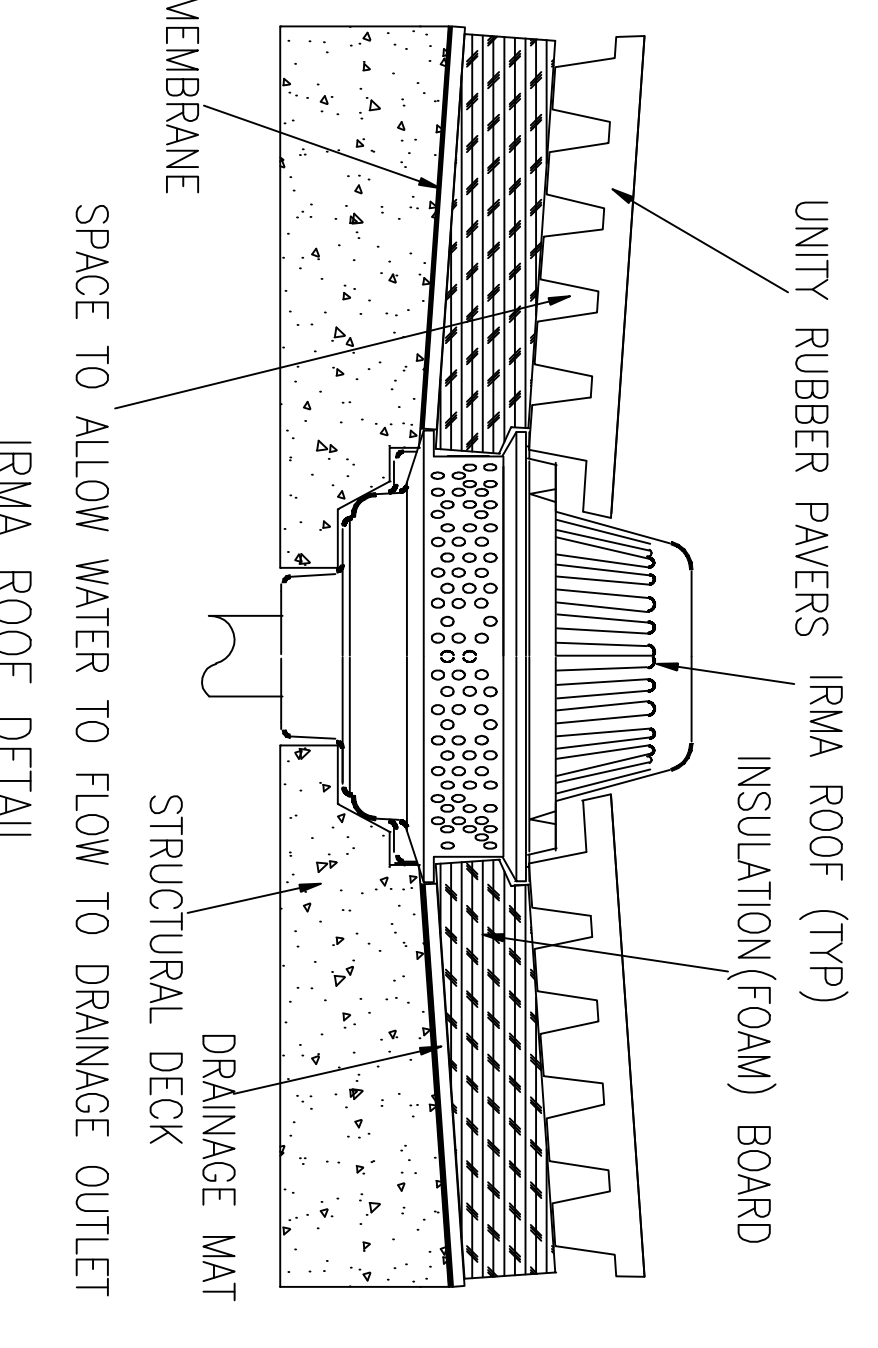
STANDARD DRAIN DETAIL



DOME DRAIN DETAIL



ADJUSTABLE DUAL DRAIN DETAIL



IRMA ROOF DETAIL

General Notes

STANDARD ROOF TILE-MAT-BLOCK-PAVER PRODUCT DETAILS

NO FASTENERS

4	UPDATED	11/12/19
3	UPDATED	8/2/16
2	PATENT UPDATE	11-29-11
1	ORIGINAL	9-24-09
No.	Revision/Issue	Date

UNITY CREATIONS LTD./UNITY SURFACING SYSTEMS

SALES & MARKETING:
 56 BLOOMINGDALE RD.
 HICKSVILLE, NY 11801
 T: (1-877) 41-UNITY
 F: (845) 246-1700
 E-MAIL: productinfo@surfacingystems.com
 WEB: www.surfacingystems.com

MANUFACTURING PLANT:

UNITY CREATIONS, LTD.
 3997 ROUTE 9W (P.O. BOX 9)
 SAUGERTIES, NY 12477

PROJECT:

Project	Sheet
Date	
Scale	NOTED

Project	Sheet
Date	
Scale	NOTED