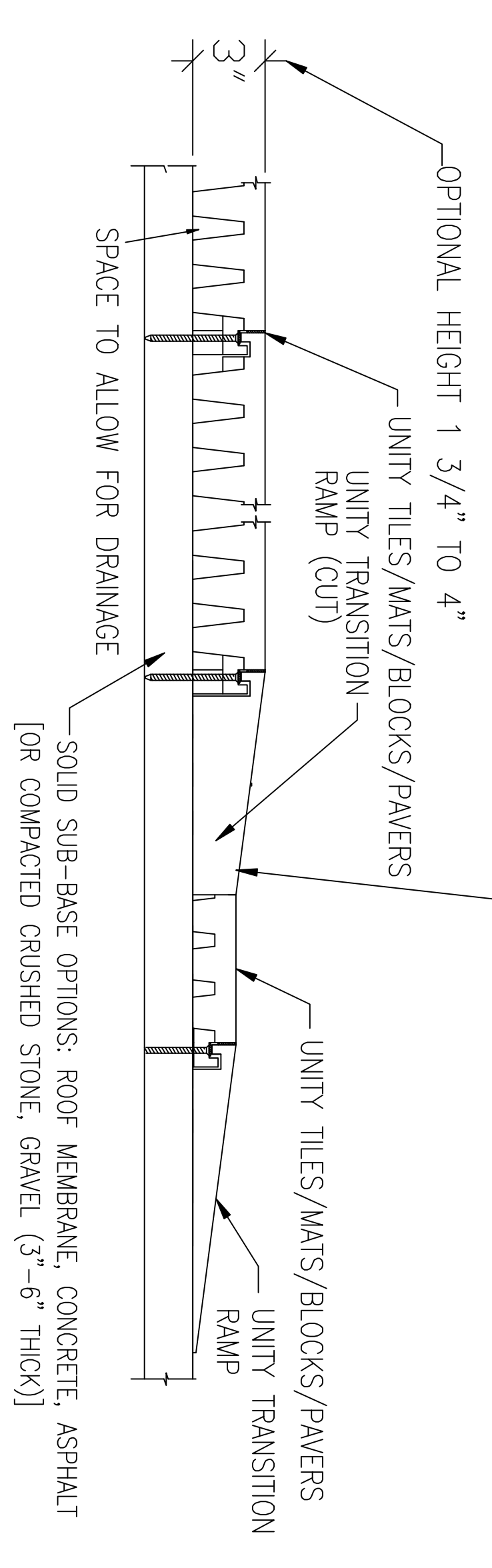
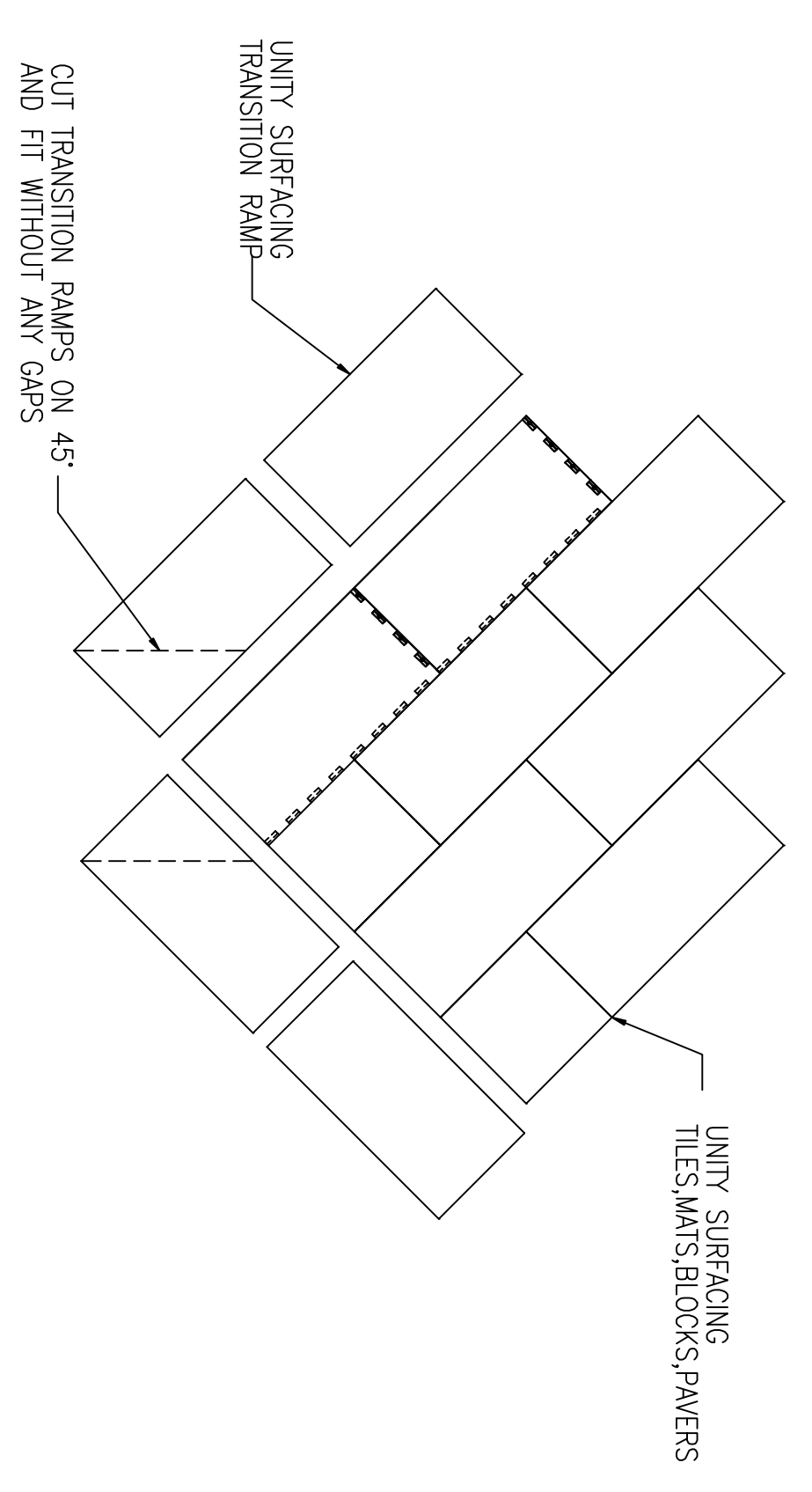


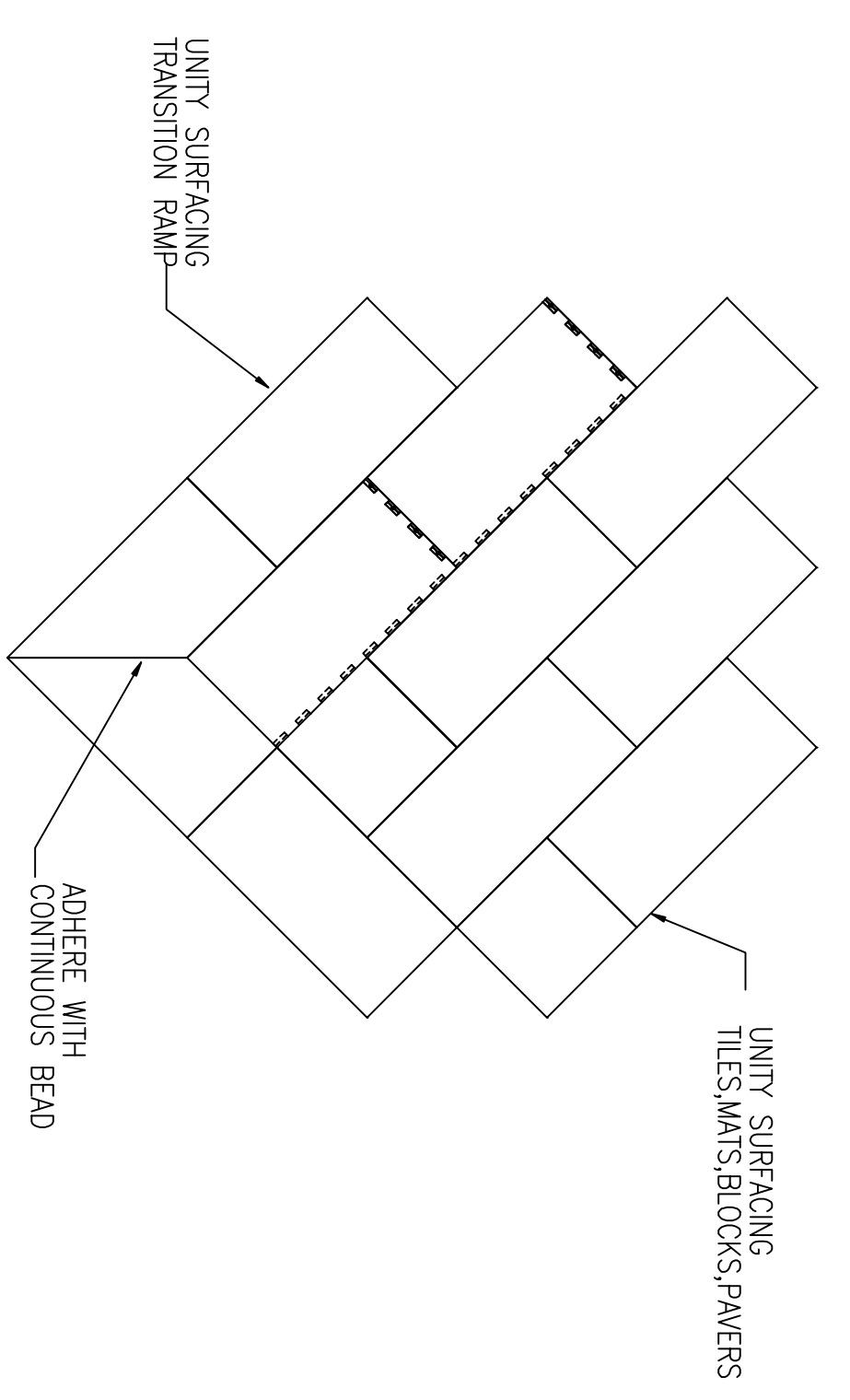
CUTTING TRANSITION FROM ONE THICKNESS TO THE NEXT



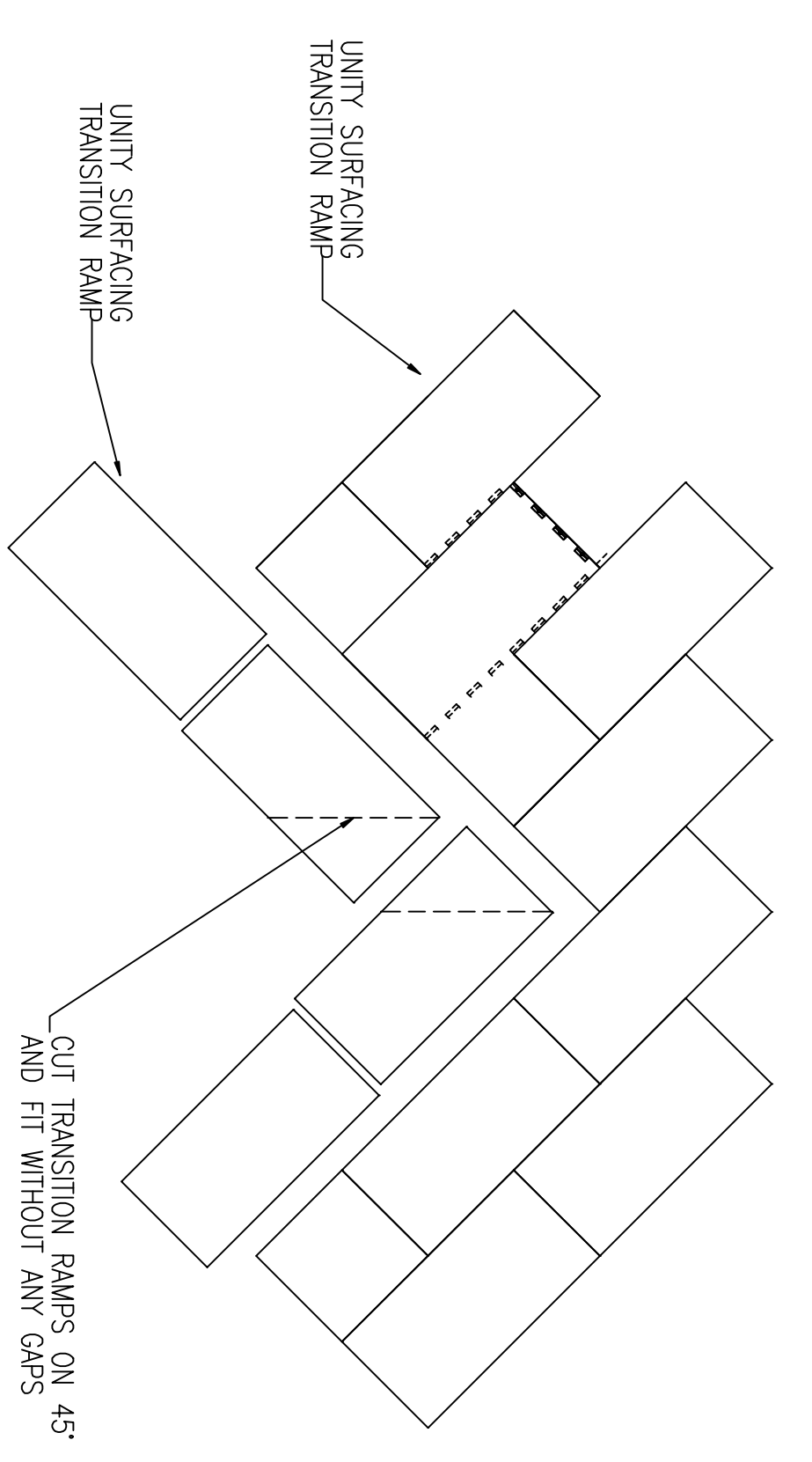
SUB-SURFACING/BASE OPTIONS - RAISED SURFACE W/ TRANSITION



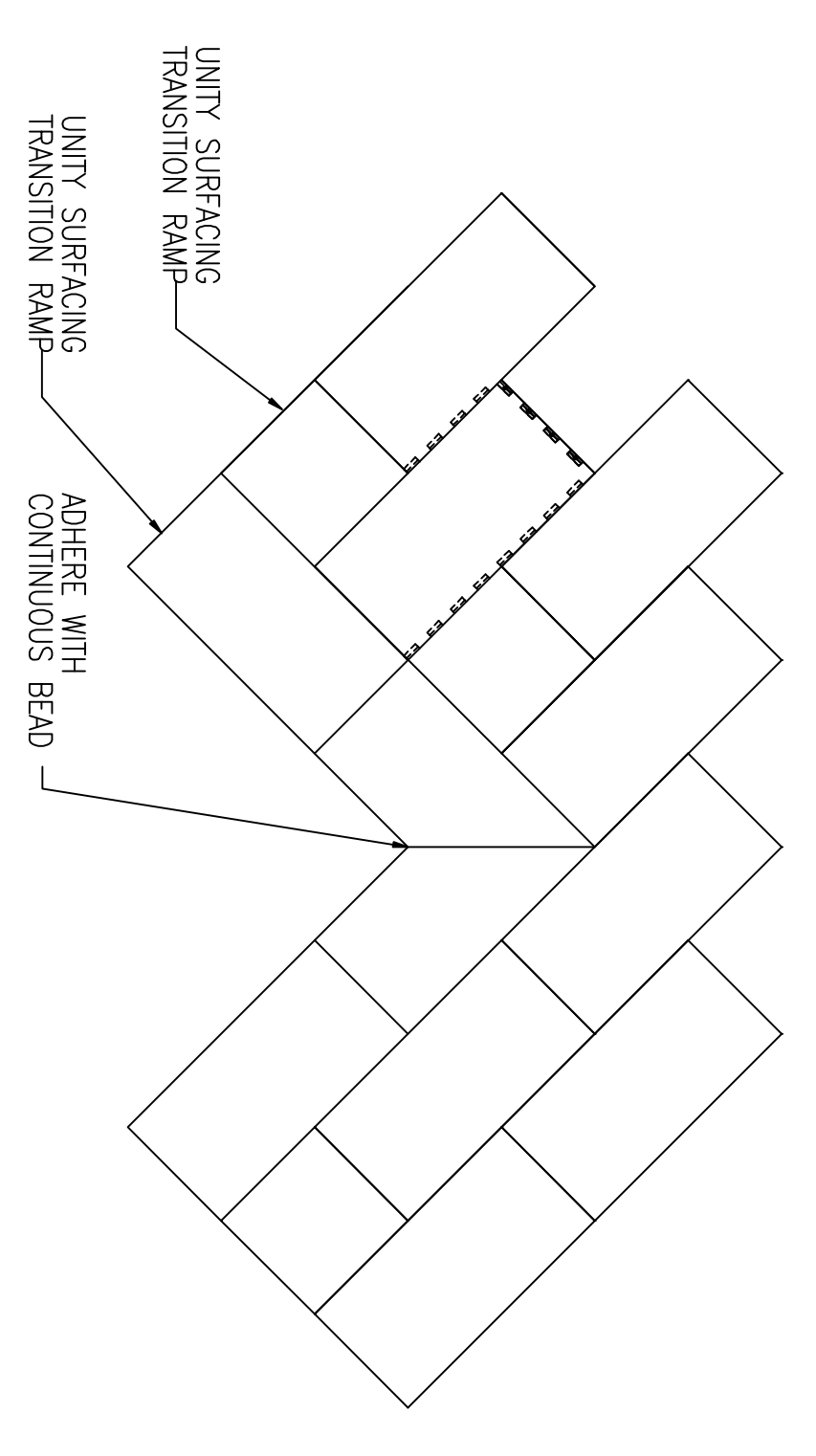
OUTSIDE CORNER TRANSITION RAMP DETAIL (PRE CONSTRUCTION)



OUTSIDE CORNER TRANSITION RAMP DETAIL (POST CONSTRUCTION)



INSIDE CORNER TRANSITION RAMP DETAIL (PRE CONSTRUCTION)



INSIDE CORNER TRANSITION RAMP DETAIL (POST CONSTRUCTION)

General Notes

TRANSITION RAMP CUTTING DETAILS FROM ONE THICKNESS TO THE NEXT AS WELL AS INSIDE & OUTSIDE CORNERS

No.	Revision/Issue	Date
1	ORIGINAL	7/1/16

UNITY CREATIONS LTD./UNITY SURFACING SYSTEMS
SALES & MARKETING:
 56 BLOOMINGDALE RD.
 HICKSVILLE, NY 11801
 T: (1-877) 41-UNITY
 F: (845) 246-1700
 E-MAIL: productinfo@surfacingystems.com
 WEB: www.surfacingystems.com

MANUFACTURING PLANT:
 UNITY CREATIONS, LTD.
 3997 ROUTE 9W (P.O. BOX 9)
 SAUGERTIES, NY 12477

PROJECT:

Project	Sheet
Date	
Scale	NOTED