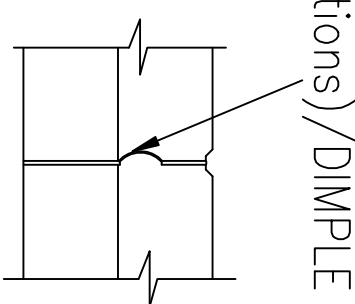


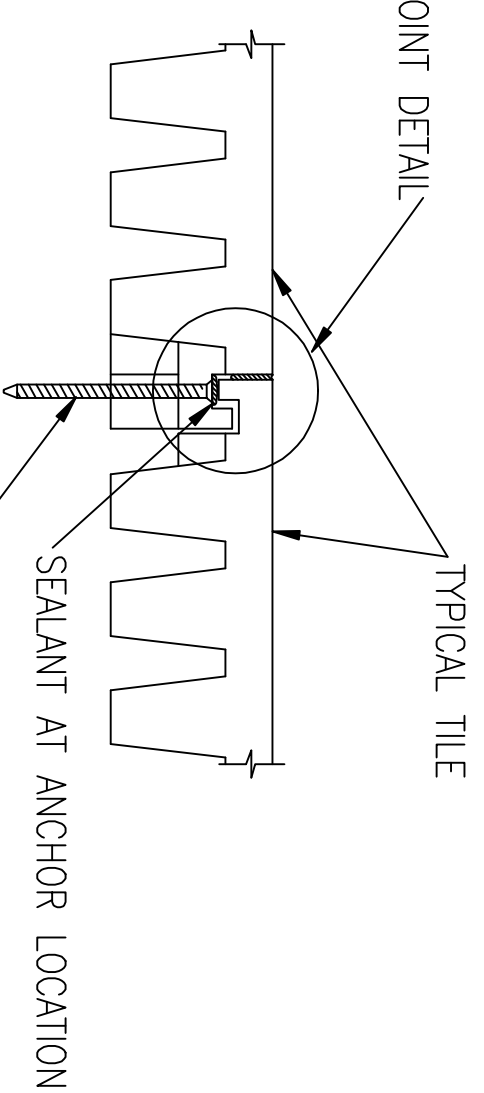
NOTE: MALE AND FEMALE INTERLOCKS ARE 3 3/4" WIDE WITH A 1" THICKNESS

General Notes

PIMPLE (Projections)/DIMPLE (Slots) DETAIL

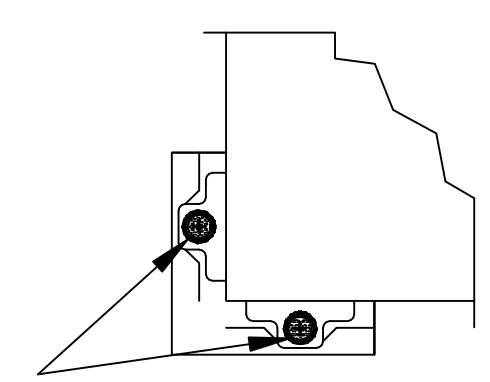
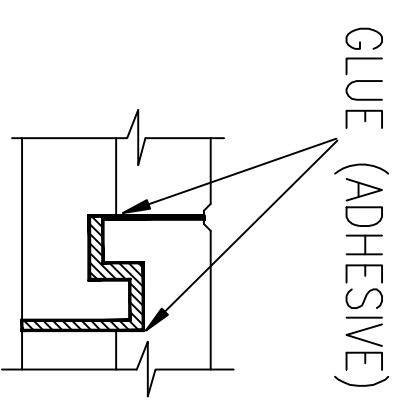


SEE ENLARGED JOINT DETAIL



JOINT DETAIL AT PIMPLE (Projections)/DIMPLE (Slots)

TYPICAL TILE JOINT DETAIL

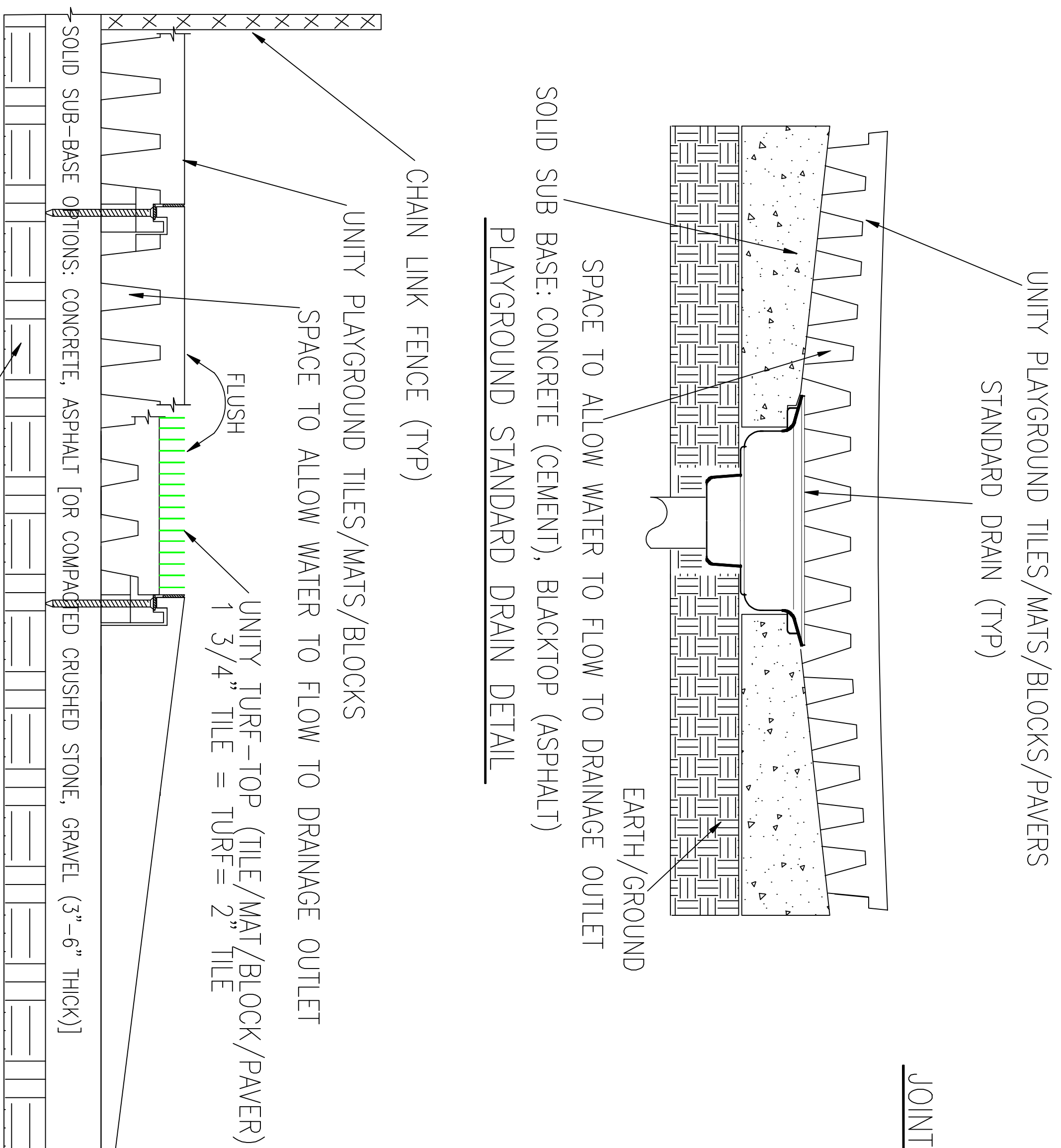


NOTE: FIELD APPLY ADHESIVE AT EACH INTERLOCK BOTH INSIDE THE JOINT AND ON TOP (OUTSIDE EDGE)

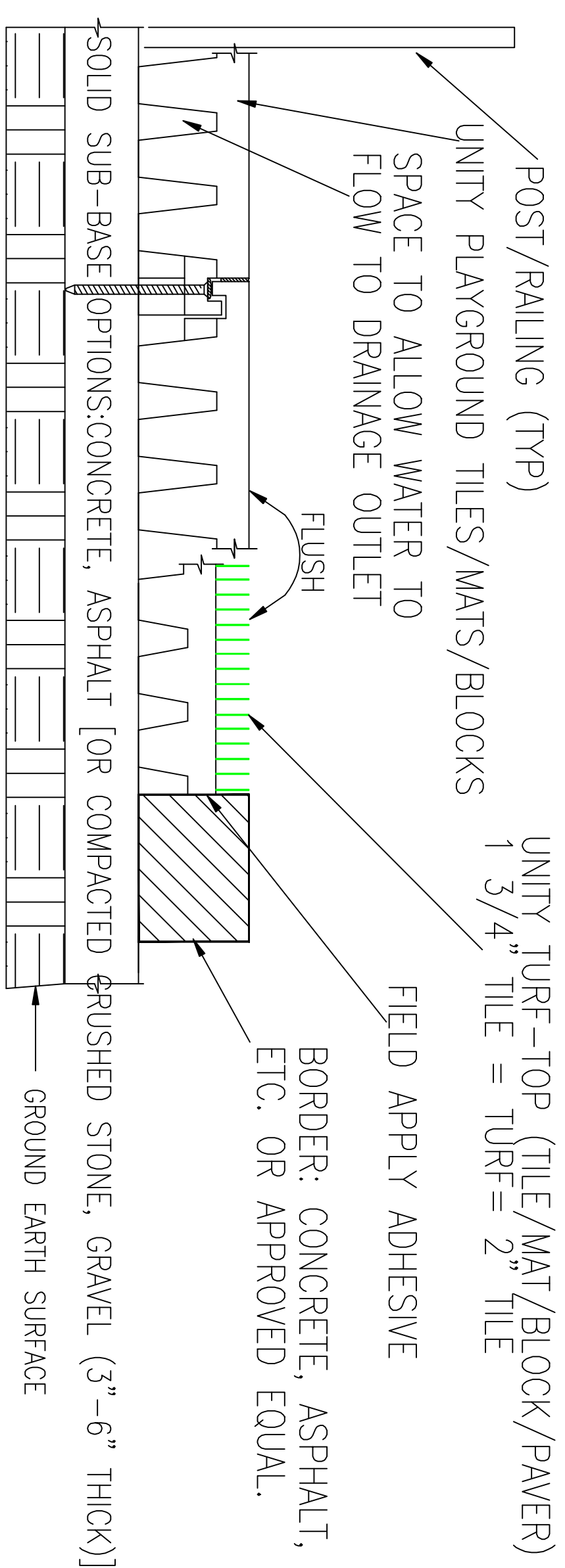
MALE INTERLOCKS WITH ROUND COUNTER SUNK BOLT-DOWN AREA FASTEN TO SOLID SUB-BASE WITH COUNTER SUNK RECESSED HEAD UNITY ANCHOR (NOT RECOMMENDED FOR ROOFTOP INSTALLATIONS)

ENLARGED JOINT INTERLOCK DETAIL

TYPICAL TILE ANCHOR DETAIL



SUB-SURFACING/BASE OPTIONS - RAISED SURFACE W/ TRANSITION



SUB-SURFACING/BASE OPTIONS - RECESSED SURFACE W/ BORDER

UNITY CREATIONS LTD./UNITY SURFACING SYSTEMS

SALES & MARKETING:  
56 BLOOMINGDALE RD.  
HICKSVILLE, NY 11801

T: (1-877) 41-UNITY  
F: (845) 246-1700  
E-MAIL: [productinfo@surfacingssystems.com](mailto:productinfo@surfacingssystems.com)  
WEB: [www.surfacingssystems.com](http://www.surfacingssystems.com)

MANUFACTURING PLANT:

UNITY CREATIONS, LTD.  
3997 ROUTE 9W (P.O. BOX 9)  
SAUGERTIES, NY 12477

PROJECT:

Project	Sheet
Date	
Scale	NOTED

PLAYGROUND TURF-TOP TILE/MAT/BLOCK/PAVER PRODUCT DETAILS

ONE THICKNESS TO THE NEXT

No.	1	Revision/Issue	Date
		ORIGINAL	1/23/20